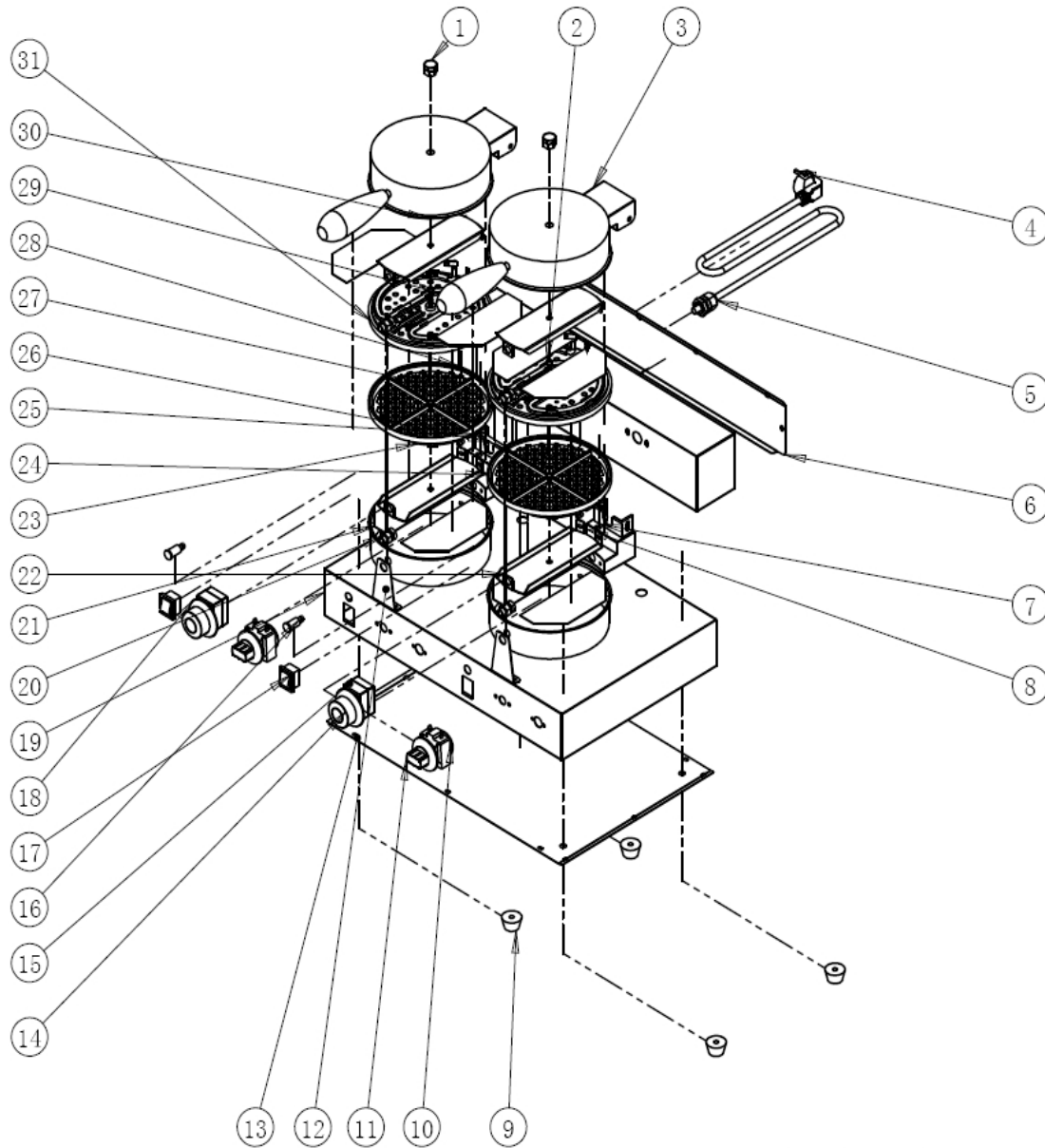


| No. | Name |
|-----|----------------------|
| 1 | Handle |
| 2 | Heating Tube |
| 3 | Top Cover |
| 4 | Cover Screw |
| 5 | Cover Hinge |
| 6 | M6X8 |
| 7 | M6X35 |
| 8 | Rotating Screw |
| 9 | M6 Screw |
| 10 | M10X8 |
| 11 | Cable |
| 12 | Plug |
| 13 | S/S plate |
| 14 | S/S plate |
| 15 | Down cover Rotating |
| 16 | M10x25 |
| 17 | Plate Fixer |
| 18 | Timer |
| 19 | Frame Sealing Plate |
| 20 | Rubber Pad |
| 21 | Timer Knob |
| 22 | Frame |
| 23 | Temperature Dial |
| 24 | Temperature Knob |
| 25 | Temperature Control |
| 26 | Switch |
| 27 | Indicator Light |
| 28 | Srew M10 |
| 29 | Insulating Plate |
| 30 | Waffle Fitting Plate |
| 31 | Down Waffle Plate |
| 32 | Upper Waffle Plate |



- 1 Srew M10
- 2 M6X8
- 3 Cover Hinge
- 4 Cable
- 5 Plug
- 6 S/S plate
- 7 M6X35
- 8 Down cover Rotating
- 9 Rubber Pad
- 10 Timer
- 11 Timer Knob
- 12 Plate Fixer
- 13 Frame Sealing Plate
- 14 Temperature Knob
- 15 Temperature Control
- 16 Indicator Light
- 17 Switch
- 18 Temperature Dial
- 19 Frame
- 20 M10
- 21 Insulating Plate
- 22 Waffle Fitting Plate
- 23 Heating Tube
- 24 Down Waffle Plate
- 25 M6
- 26 Rotating Screw
- 27 M10
- 28 S/S plate
- 29 Handle
- 30 Cover
- 31 Upper Waffle Plate